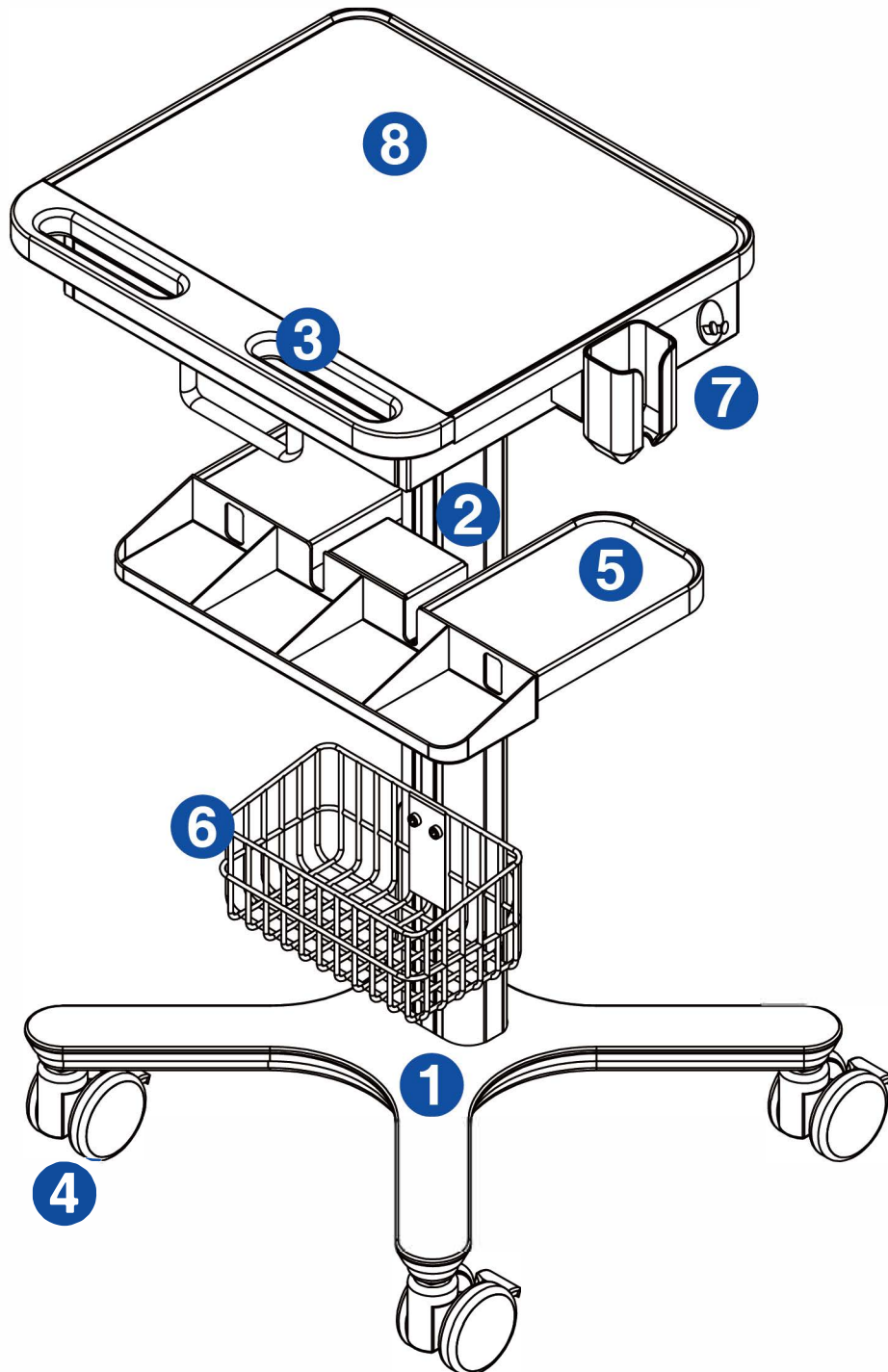
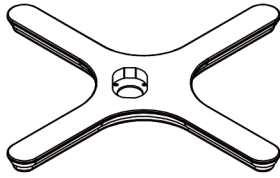


ASSEMBLY INSTRUCTION



Parts List

1



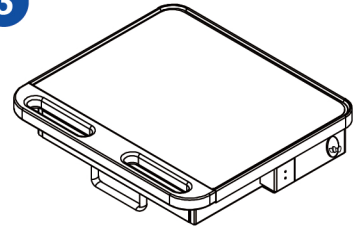
Base - 1

2



Center Post - 1

3



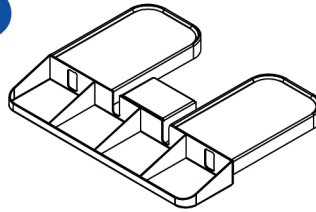
Desktop Tray - 1

4



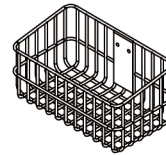
Casters - 4

5



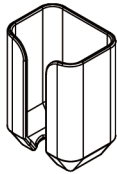
RCT Placement Table - 1

6



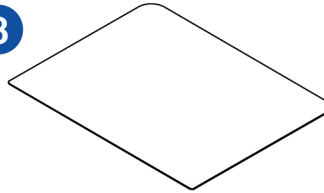
Basket - 1

7



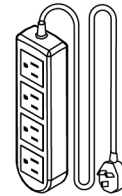
Oral Scanner Holder - 1

8



Non-slip Mat - 1

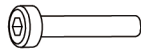
9



Power Strip - 1

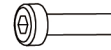
Screw Pack

a



M6 **Long** Screws - 4

b



M6 **Short** Screws - 4

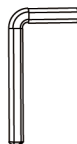
Tools Pack

A



5.0mm **Long** Wrench - 1

B



5.0mm **Short** Wrench - 1

C



Open-end Wrench
17mm - 1

D



Ross Wrench - 1

Installation Procedure

Step 1:

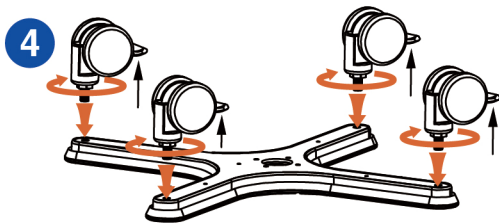
Remove the Base(1) and caster components from the package. Using the Open-end Wrench(C) provided in the tool kit, screw the Casters(4) clockwise into the Base.

Next, take out Center Post(2) and invert it. Align the four holes on the Base with the four circular holes at the bottom of the Center Post. Secure the Base to the Center Post using M6 Long Screws(a), and then tighten them using the 5.0mm Wrench(A/B) from the tool kit.

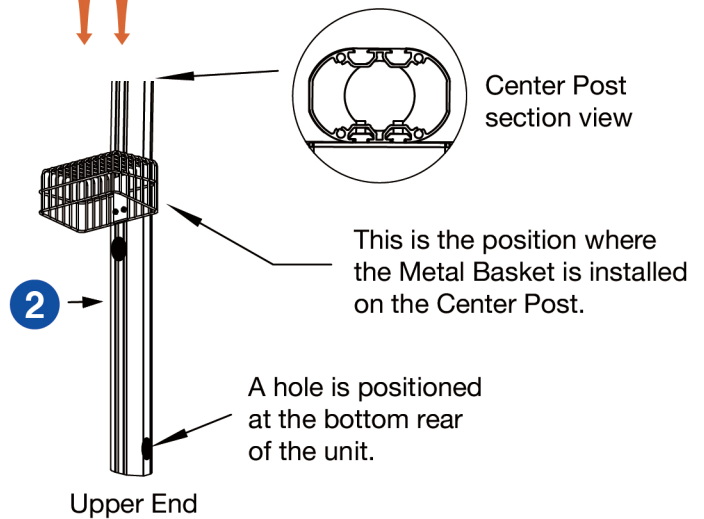
(As shown in the graphic below.)

Tips:

Please ensure the foot brake is before locked installing the Casters.

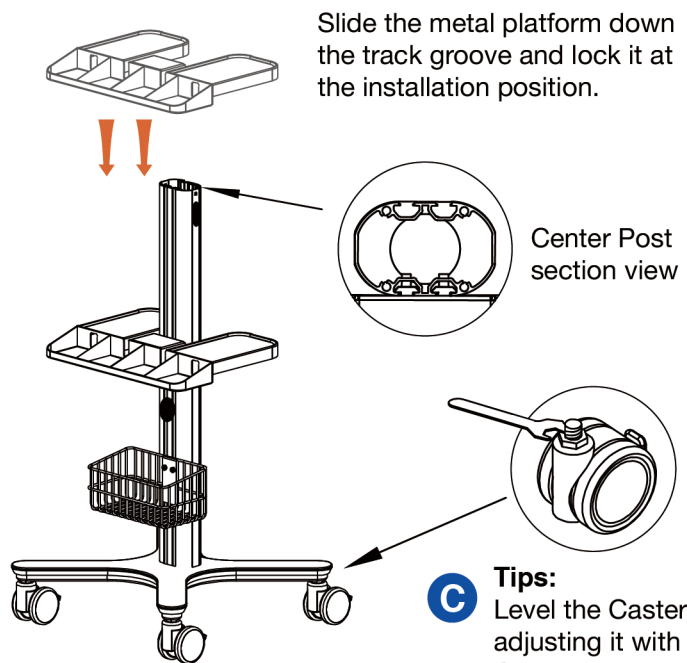
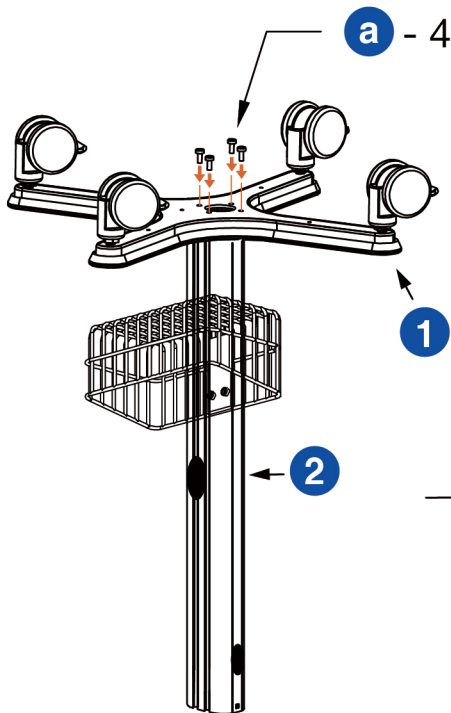


Invert the Metal Basket(6), then slide it downward along the track groove of the Center Post to the installation position shown in the photo below, where it is secured in place.



Step 2:

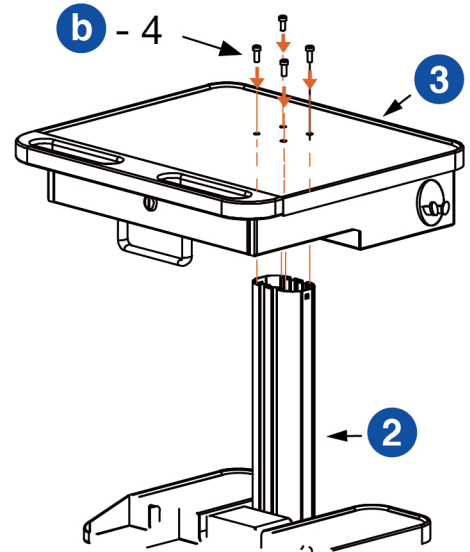
As shown in the image, align the sliders on each component with the front and rear slots of the Center Post(2). Slide the sliders to the desired height in sequence, then tighten the fixing screws to secure them in place.



C Tips:
Level the Caster by adjusting it with an Open-end Wrench.

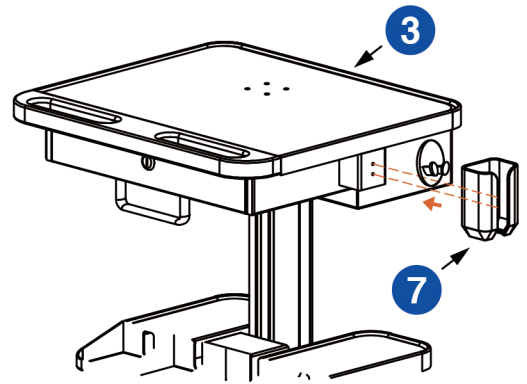
Step 3:

As shown in the figure, first insert the Center Post(2) into the hole beneath the Desktop Tray(3). Then, use the M6 **Short** Screws(b) to secure the Center Post to the Desktop Tray from above. Finally, tighten the screws using the 5.0mm Wrench(A/B).



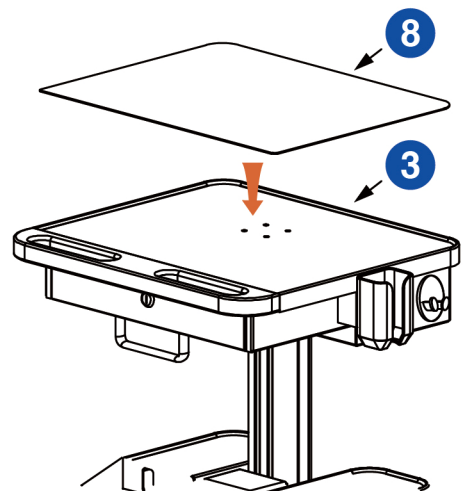
Step 4:

Unscrew the two existing fixing screws on the side of the Desktop Tray(3). Then, take out the Oral Scanner Holder(7) and align it with the holes on the side. Finally, use the Ross Wrench(D) from the tool kit to securely tighten it. Mount the scanner on the left or right side as needed.

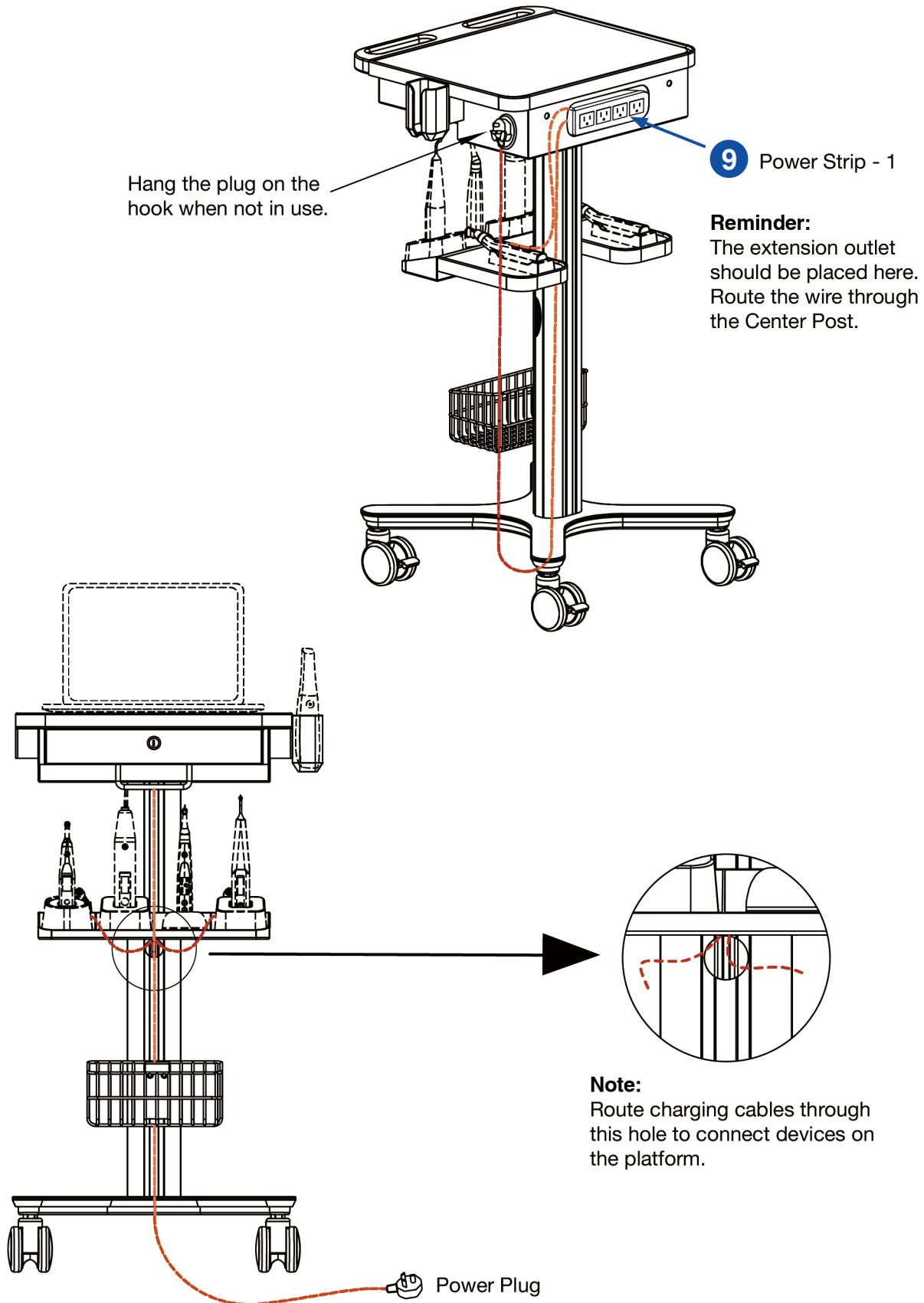


Step 5:

As shown in the figure, remove the protective film and attach the Non-slip Mat(8) securely onto the Desktop Tray(3).



Application Scenario



The equipment shown with dotted lines in the illustration is for demonstration purposes only and is not included with this product.

Product Care and Maintenance

Cleaning the Cart Exterior

Use a cleaning brush or sponge moistened with water and a suitable detergent to thoroughly clean the exterior surface of the cart. Pay special attention to areas where dirt tends to accumulate, such as the bottom, side walls, and handles.

Maintenance and Inspection

During the cleaning process, inspect the wheels, connectors, handles, and other components for any signs of damage or wear. If necessary, perform maintenance or repairs promptly to ensure the cart remains in good working condition.

Regular Cleaning Benefits

Routine cleaning helps reduce bacterial growth, prolongs the service life of the cart, and ensures more effective cleaning performance.

Safety Precautions

Always wear appropriate personal protective equipment (PPE), such as gloves and a mask, to avoid injury or exposure to waste or chemical cleaners.

Storage and Transportation Conditions

Temperature and Humidity

Store the equipment at temperatures not exceeding 45°C, with relative humidity maintained between 50% – 65% to prevent damage from moisture or rust.

Transport Guidelines

The equipment must be handled safely during loading, unloading, transportation, and storage, and should be able to withstand normal and occasional extreme conditions, including vibration, shock, pressure, and temperature or humidity fluctuations.

Environmental Protection

Avoid exposure to direct sunlight, rain, ice, snow, or other harsh environmental elements during storage or transport.

Electromagnetic Protection

Keep the equipment away from areas with electromagnetic interference or strong magnetic fields to prevent functional damage.

Product Information

Dental Multi-Function Trolley Cart - Standard

Warranty Period: 3 years

Origin: Made in China